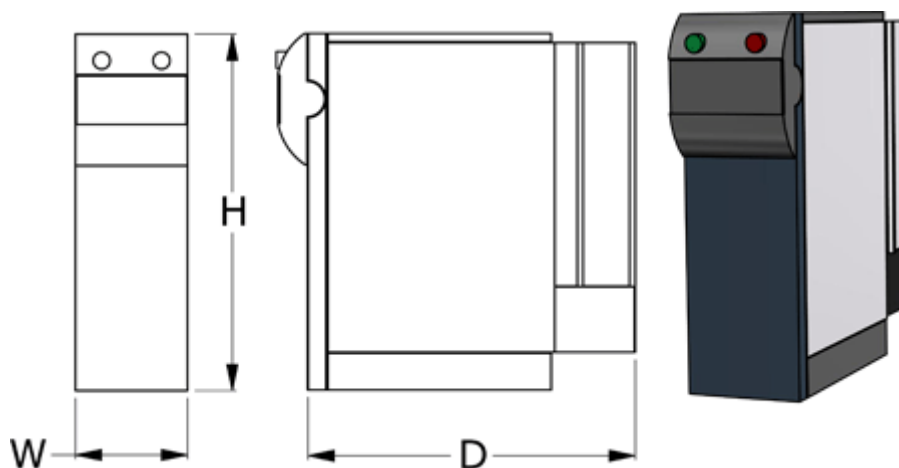


# Data Sheet



Article number: 1080401051000  
Description: Servocontroller ACU401-05-FA  
0,55 kW 1,8A 3x400V IP20

## Measures



D = 175  
H = 190  
W = 60  
Weight = 1.2